

ASIZIO PRESSURE RATED MANWAY FOR FOOD AND PHARMACEUTICAL APPLICATIONS

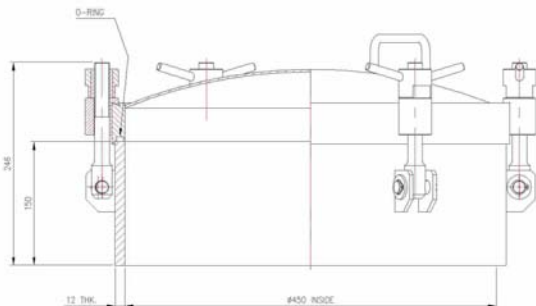
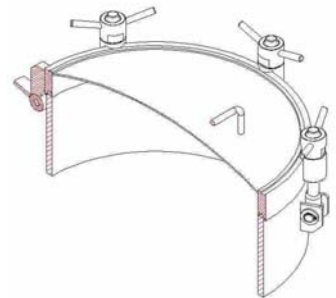
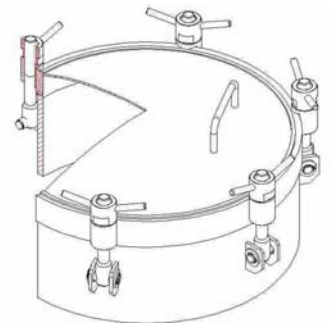


INOX pressure rated stainless steel vessel manways are suitable for food, dairy and pharmaceutical vessels.

Design pressure: 420kPa and full vacuum condition (-100kPa).
Design Temperature: 153 Deg C.
O-ring sealing material is available in EPDM, Teflon, Viton, Silicon or platinum cured silicon for pharmaceutical TSE requirements.

The Pressure rated manways are designed to Australian Pressure Vessel code AS1210-2010 specifically for the Australian market.
Surface finishes available are 0.4, 0.8 micron & mirror finish is available.

INOX pressure manways are certified and verified by Lloyds registered engineering documentation and are comprehensively supplied with material certificates to ensure the high quality engineering and manufacture of INOX equipment.



All components are available constructed in:
304 SS
316 SS
SAF2205

Standard sizes are:
Pressure manways:
450mm, 500mm, 600mm
dia
Automatic opening
manways: 450mm,
500mm, 600mm.



**ALSO AVAILABLE FROM INOX:
AUTOMATIC OPENING
PRESSURE MANWAY**